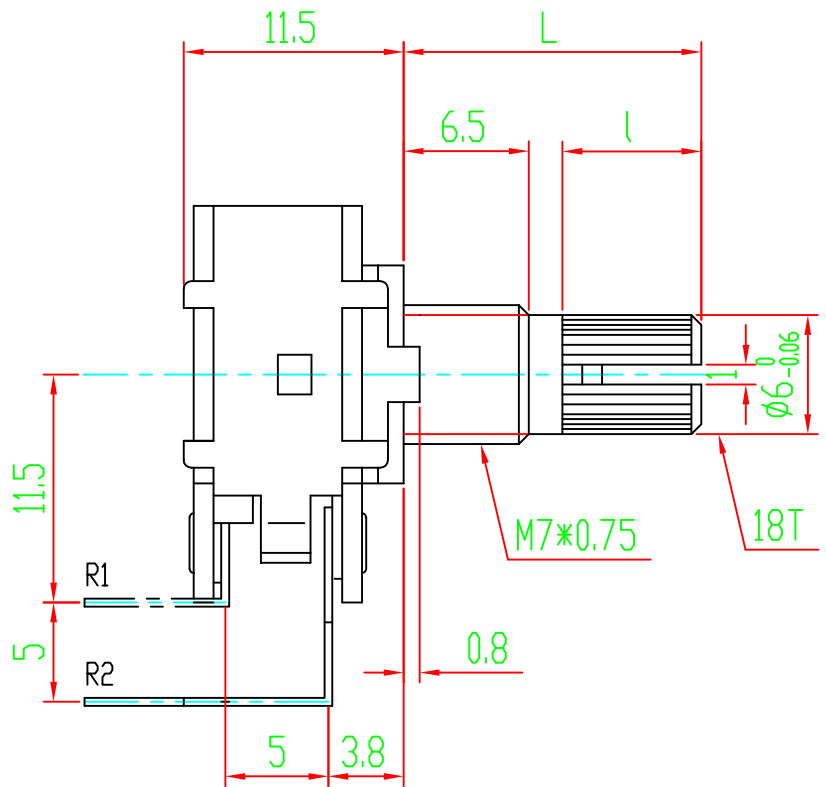
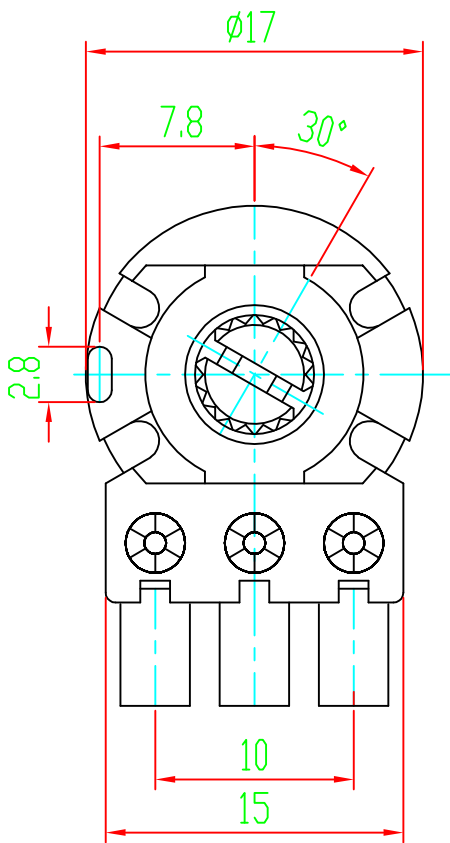
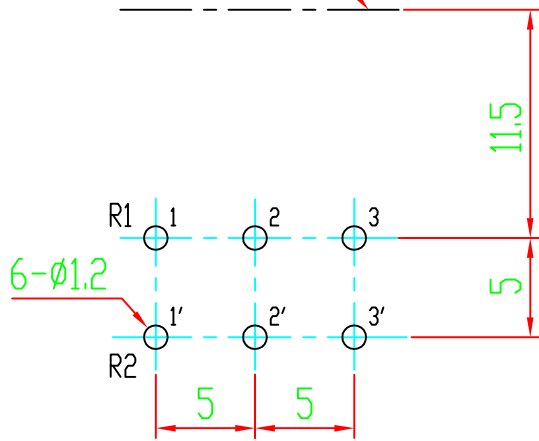


Shaft Shown in Full
C.C.W. Position



Mounting Surface



P.C.B MOUNTING DETAIL

02				05			
01				04			
	DATE	REVISION	APPROVED	03			
			DRAWING NO:				
			MODEL: WH148-1B-4 L15 18T				
			 常州宇豪电子有限公司 CHANGZHOU YUHAO ELECTRONIC CO.,LTD.				
DRAW	CHKD	APPD					