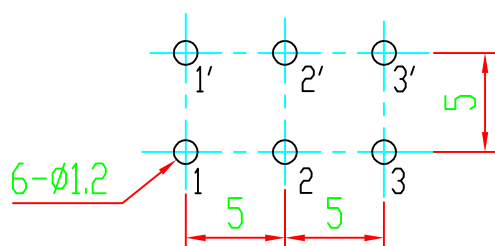
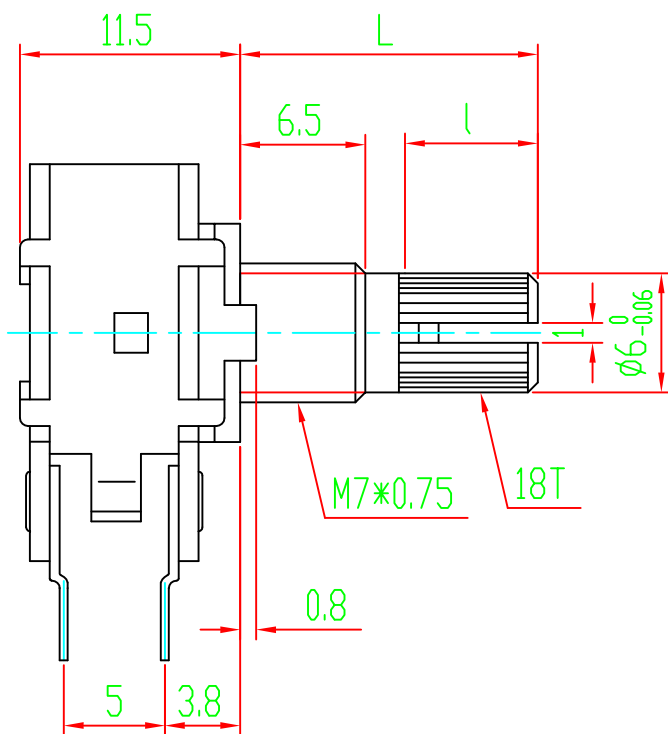
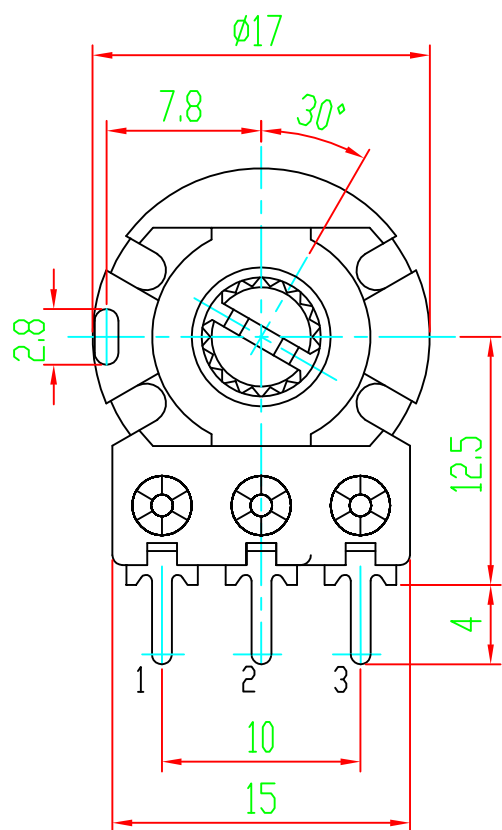


Shaft Shown in Full
C.C.W. Position



P.C.B MOUNTING DETAIL

| | | | | |
|---|----|----|----|----|
| L | 15 | 20 | 25 | 30 |
| l | 7 | 12 | 12 | 12 |

| | | | | | | | |
|----|------|----------|----------|----|--|--|--|
| 02 | | | | 05 | | | |
| 01 | | | | 04 | | | |
| | DATE | REVISION | APPROVED | 03 | | | |

MODEL: WH148-1B-2P L15 18T 塑轴塑套

DRAWING NO:



常州宇豪电子有限公司

CHANGZHOU YUHAO ELECTRONIC CO.,LTD.

DRAW

CHKD

APPD