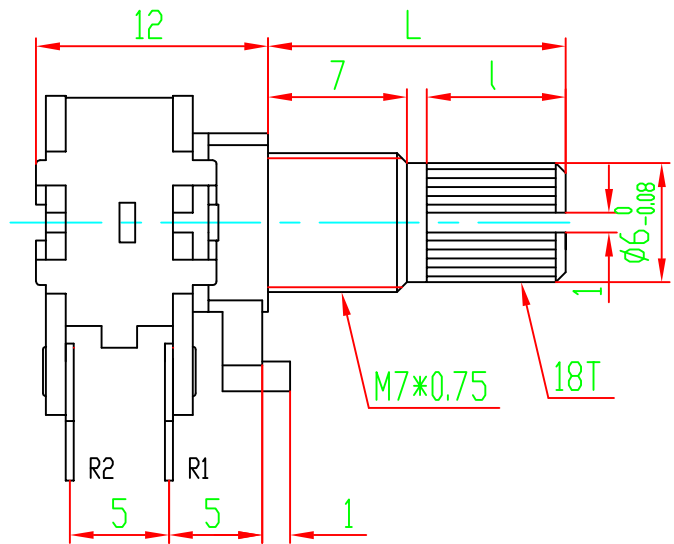
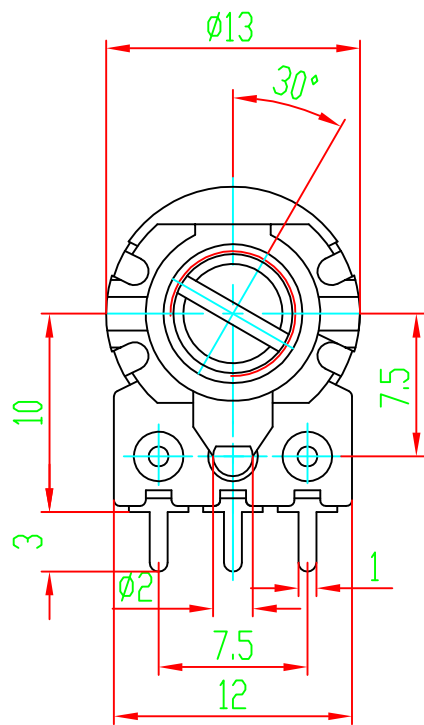
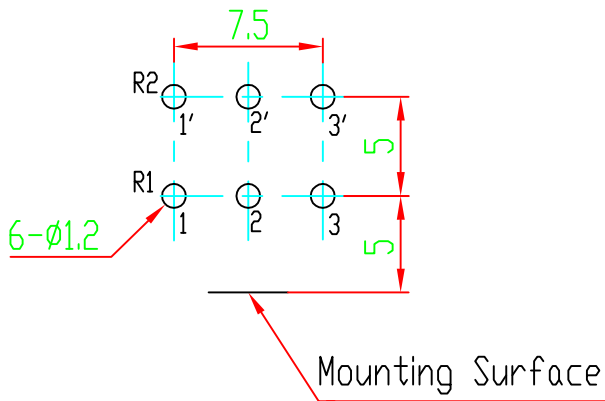



Shaft Shown in Full
C.C.W. Position



P.C.B MOUNTING DETAIL



L	15	20	25	30
l	7	12	17	22

02				05				
01				04				
	DATE	REVISION	APPROVED	03				
			MODEL: WH120-1B-2 L15 18T 玻纤板				DRAWING NO:	
			 常州宇豪电子有限公司 CHANGZHOU YUHAO ELECTRONIC CO.,LTD.					
DRAW	CHKD	APPD						