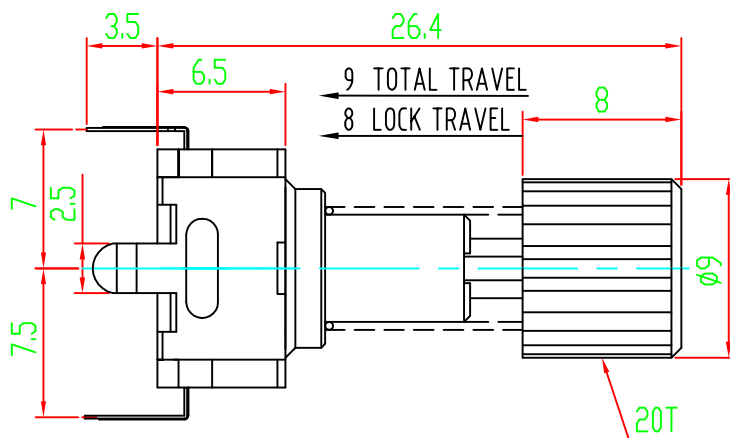
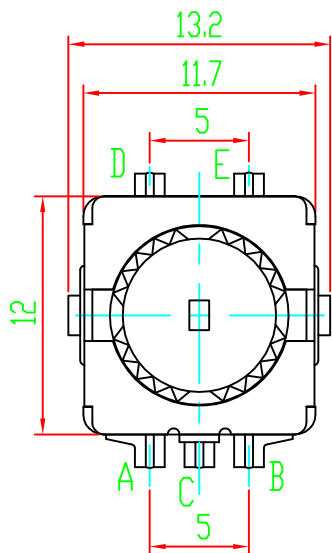
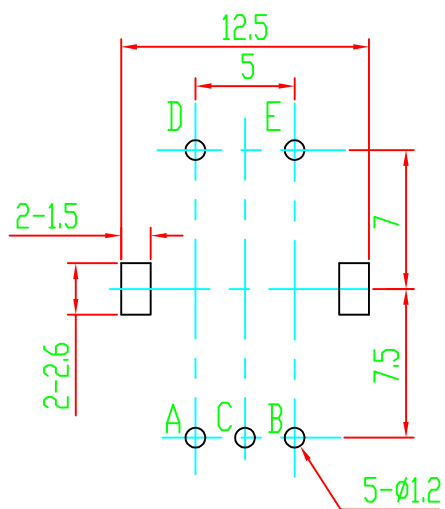


Shaft Shown in Full  
C.C.W. Position



P.C.B MOUNTING DETAIL



02				05			
01				04			
	DATE	REVISION	APPROVED	03			

MODEL: EC11-1S SL

DRAWING NO:



常州宇豪电子有限公司

CHANGZHOU YUHAO ELECTRONIC CO., LTD.

DRAW

CHKD

APPD